


General Applications

Armstrong PRELUDE 15 TL

Exposed 15 mm grid system - System C

Key features

- Peakform : patented design for strength, stability and easier to cut
- Superlock clip: secure Main Runner connection for better alignment and easier to connect
- Rotary stitched: strength and extra stability

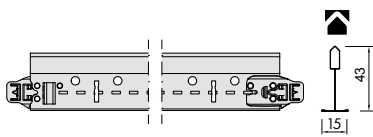
Application areas

- Healthcare / Classrooms / Meeting rooms / Individual offices

Physical data

- Material: galvanised steel
- Surface finish: baked polyester paint
- Colour: all products standard in Global White
- Other standard colours available on popular items

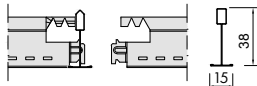
■ Armstrong PRELUDE 15 | Universal Peakform Main Runners & Superlock Clip (bulb-to-bulb connection)



Item reference	Dimensions (mm)				Content/carton		Weight/carton kg	Cartons/pallet
	Length	Width	Height	Slot centres	pcs	lm		
30 41 33 A	3750	15	43	156.25	20	75.00	23.22	32
30 40 33 A *	3600	15	43	100	20	72.00	22.50	32
30 43 33 A	3375	15	43	337.5	20	67.50	22.50	32

* Black (BK), RAL 9006 (SG) & White RAL 9010 (WR) standard colours available. Special colours on request.

■ Armstrong PRELUDE 15 | TL Cross Tees (hook system - butt cut)



Cross Tees - Slotted

Item reference	Length	Width	Height	Slot centres	Content	Weight	Cartons
10 34 33 B	1800	15	38	300	30	54.00	20
10 36 33 A	1500	15	38	300	30	45.00	20
10 33 33	1350	15	38	337.5	60	81.00	20
10 31 33 B	1250	15	38	312.5	60	75.00	20
10 30 33 A *	1200	15	38	300	60	72.00	20

* Black (BK), RAL 9006 (SG) & White RAL 9010 (WR) standard colours available. Special colours on request.

Cross Tees - Unslotted

Item reference	Length	Width	Height	Slot centres	Content	Weight	Cartons
10 23 33	675	15	38	-	60	40.50	144
10 21 33 B	625	15	38	-	60	37.50	144
10 20 33 A *	600	15	38	-	60	36.00	144
10 25 33	312.5	15	38	-	120	37.50	144
10 24 33 A	300	15	38	-	120	36.00	144

* Black (BK), RAL 9006 (SG) & White RAL 9010 (WR) standard colours available. Special colours on request.

Section Drawings

■ Armstrong PRELUDE 15 | Universal Peakform Main Runners & Superlock Clip (bulb-to-bulb connection)

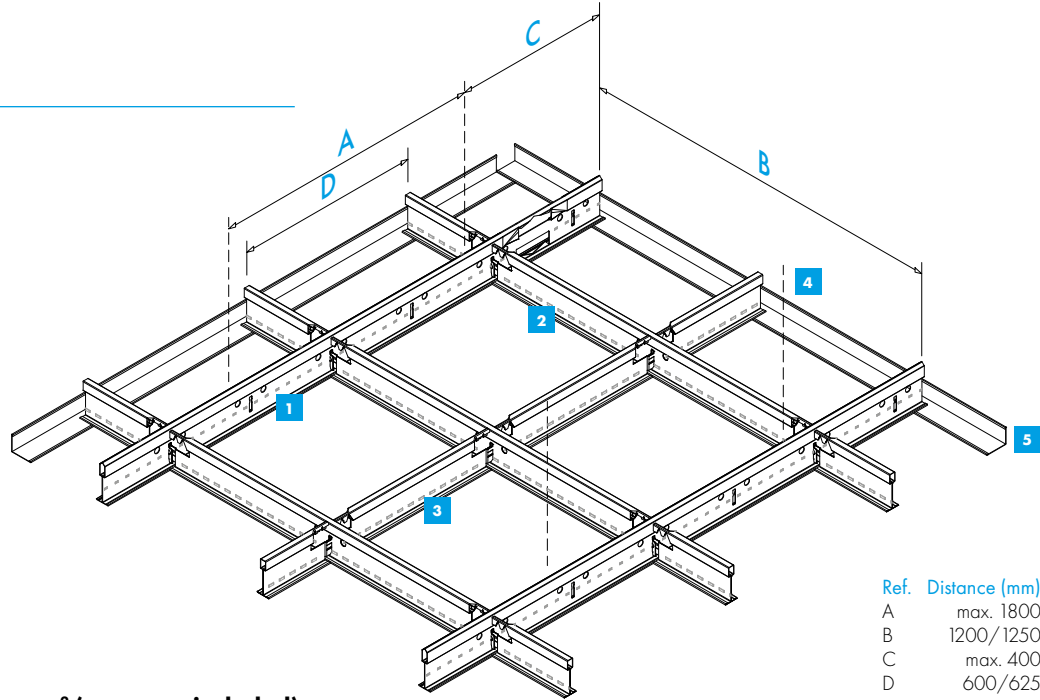
Length	78.125	156.25	21 x 156.25	156.25	78.125
3750	78.125	156.25	21 x 156.25	156.25	78.125
3600	50	100	33 x 100	100	50
3375	337.5	67.5	2 x 67.5	67.5	337.5

■ Armstrong PRELUDE 15 | TL Cross Tees (hook system - butt cut)

Length	300	4 x 300	300
1800	300	4 x 300	300
1500	300	3 x 300	300
1250	312.5	2 x 312.5	312.5
1200	300	2 x 300	300

Length	625 / 600 / 300
Length	625 / 600 / 300

System Drawing



Ref.	Distance (mm)
A	max. 1800
B	1200/1250
C	max. 400
D	600/625

■ **Material required per m² (no waste included)**

No.	Description	Item reference	Module 600 x 600	Module 625 x 625	Module 1200 x 600	Module 1250 x 625
1	Main Runner	30 40 33 A 30 41 33 A	0.84 lm	– 0.80 lm	0.84 lm	– 0.80 lm
2	Long Cross Tee	10 30 33 A 10 31 33 B	1.67 lm	– 1.60 lm	1.67 lm	– 1.60 lm
3	Short Cross Tee	10 20 33 A 10 21 33 B	0.84 lm	– 0.80 lm	–	–
4	Hanger	–	0.70 pcs	0.64 pcs	0.70 pcs	0.64 pcs
	Retaining Clip	–	5.56 pcs	5.56 pcs	5.56 pcs	5.56 pcs
	Tiles	–	2.78 pcs	2.56 pcs	1.39 pcs	1.28 pcs
5	Perimeter Trim	–	Dependent on room dimensions (approx. 0.6 lm/m ²)			

■ **Load Table | Maximum permissible weight (kg/m²)**

Main Runner distances	1800 mm	1200 mm	1250 mm	600 mm	625 mm
Hanger distance A (mm)	Module 600 x 600	Module 600x600, 1200x600	Module 625x625, 1250x625	Module 600x600, 1200x600	Module 625x625, 1250x625
800	4.9	16.5	14.3	25.0	25.0
1000	4.4	13.3	11.8	25.0	25.0
1200	3.6	9.8	9.0	20.4	19.6
1500	–	5.6	5.3	11.7	11.3
1800	–	–	–	6.4	6.1

Note:
 The load per m² must be evenly distributed (no extra point loads).
 After loading, the deflection will remain within the permitted deflection according to class 1 (L/500) of EN 13964, provided the grid is laid out as shown.

For other grid layouts, load capacities or hanger distances, please contact Knauf Ceiling Solutions.

Fire reaction		Euroclass A1 as per EN 13501-1	RUS KMO (NG) / KM1 (G1, V1, D1, T1) as per 123-FZ
Indoor air quality	 A+ ISO 3		
Cleanability			
Sustainability	 EN ISO 14001 25% cradle to cradle silver		
Design options			

All measurements in millimetres. All sizes are nominal.
 Cross Tee alignment is achieved by locating the tees to the right-hand side of the adjoining section.

Products may vary from country to country. Please contact your local sales representative.
 For further information and legal notice, please visit our website.
knaufceiling.com