


General Applications

Armstrong PRELUDE 24 TL²

Exposed 24 mm grid system - System C

Key features

- Peakform : patented design for strength, stability and easier to cut
- Superlock clip: secure Main Runner connection for better alignment and easier to connect
- Unique steel based TL² clip for strength, fire performance and better alignment
- Rotary stitched: strength and extra stability

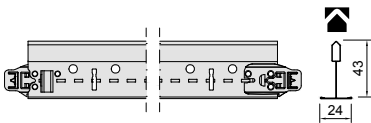
Application areas

- Healthcare / Classrooms / Meeting rooms / Individual offices

Physical data

- Material: galvanised steel
- Surface finish: baked polyester paint
- Colour: all products standard in Global White
- Other standard colours available on popular items

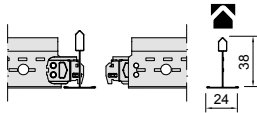
■ Armstrong PRELUDE 24 | Universal Peakform Main Runners & Superlock Clip (bulb-to-bulb connection)



Item reference	Dimensions (mm)				Content/carton		Weight/carton kg	Cartons/pallet
	Length	Width	Height	Slot centres	pcs	lm		
31 41 33 B	3750	24	43	156.25	20	75.00	21.90	30
31 40 32 A *	3600	24	43	100	20	72.00	21.00	30
31 43 33 B	3375	24	43	337.5	20	67.50	20.00	30
31 42 32	3000	24	43	100	20	60.00	17.50	30

* Black (BK), RAL 9006 (SG) & White RAL 9010 (WR) standard colours available. Special colours on request.

■ Armstrong PRELUDE 24 | TL² Cross Tees (hook system - butt cut)

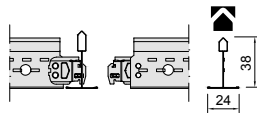


Cross Tees - Slotted

08 34 32	1800	24	38	300	30	54.00	17.20	20
08 50 32	1724	24	38	300	30	51.72	16.50	20
08 36 32	1500	24	38	⁽¹⁾	30	45.00	14.50	20
08 33 31	1350	24	38	337.5	60	81.00	19.60	20
08 31 31	1250	24	38	312.5	60	75.00	18.90	72
08 30 31 *	1200	24	38	300	60	72.00	18.20	72

* Black (BK), RAL 9006 (SG) & White RAL 9010 (WR) standard colours available. Special colours on request.

⁽¹⁾ Slots at 150, 500, 750, 1000, 1350 mm



Cross Tees - Unslotted

08 23 31	675	24	38	—	60	40.50	9.10	42
08 21 31	625	24	38	—	60	37.50	9.50	144
08 20 31 *	600	24	38	—	60	36.00	9.10	144
08 25 32 C	312.5	24	38	—	60	18.75	6.10	144
08 24 32 C	300	24	38	—	60	18.00	6.00	144

* Black (BK), RAL 9006 (SG) & White RAL 9010 (WR) standard colours available. Special colours on request.

Section Drawings

■ Armstrong PRELUDE 24 | Universal Peakform Main Runners & Superlock Clip (bulb-to-bulb connection)



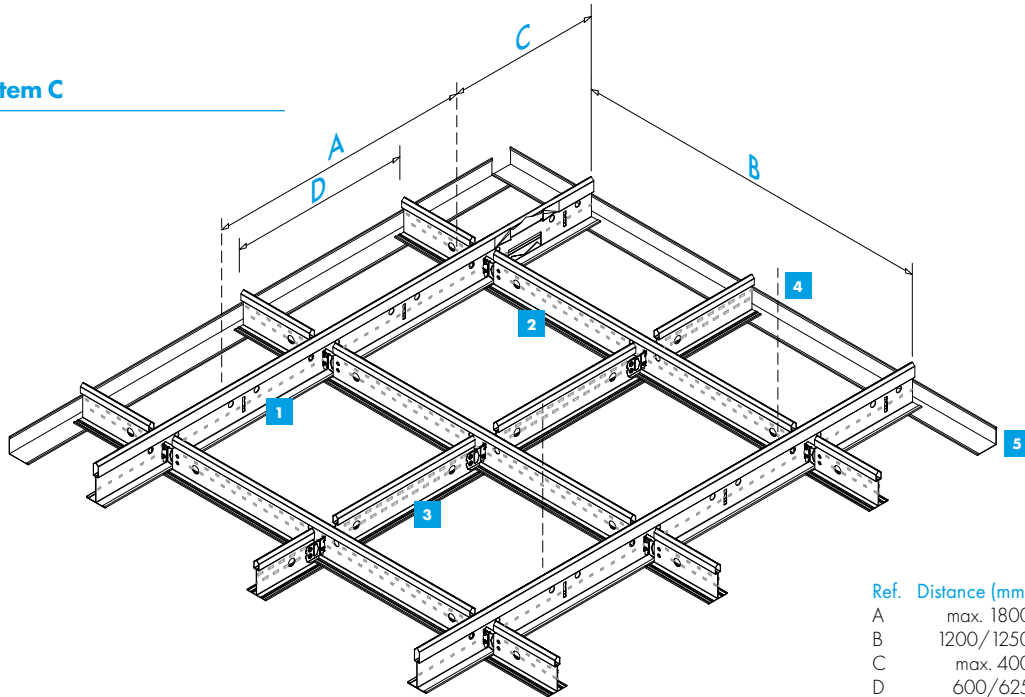
Length	Slot positions					
3750	78.125	156.25		21 x 156.25	156.25	78.125
3600	50	100		33 x 100	100	50
3375	337.5	675		2 x 675	675	337.5
3000	50	100		27 x 100	100	50

■ Armstrong PRELUDE 24 | TL² Cross Tees (hook system - butt cut)

Length	Slot positions		
1800	300		4 x 300
1724	262		4 x 300
1500	150		350 / 2 x 250 / 350
1350	337.5		2 x 337.5
1250	312.5		2 x 312.5
1200	300		2 x 300

Length	Slot positions
	675 / 625 / 600 / 312.5 / 300

System Drawing - System C



Ref.	Distance (mm)
A	max. 1800
B	1200/1250
C	max. 400
D	600/625

Material required per m² (no waste included)

No.	Description	Item reference	Module 600 x 600	Module 625 x 625	Module 1200 x 600	Module 1250 x 625
1	Main Runner	31 40 32 A	0.84 lm	-	0.84 lm	-
		31 41 33 B	-	0.80 lm	-	0.80 lm
2	Long Cross Tee	08 30 31	1.67 lm	-	1.67 lm	-
		08 31 31	-	1.60 lm	-	1.60 lm
3	Short Cross Tee	08 20 31	0.84 lm	-	-	-
		08 21 31	-	0.80 lm	-	-
4	Hanger	-	0.70 pcs	0.64 pcs	0.70 pcs	0.64 pcs
		-	5.56 pcs	5.56 pcs	5.56 pcs	5.56 pcs
-	Retaining Clip	-	5.56 pcs	5.56 pcs	5.56 pcs	5.56 pcs
-	Tiles	-	2.78 pcs	2.56 pcs	1.39 pcs	1.28 pcs
5	Perimeter Trim	-	Dependent on room dimensions (approx. 0.6 lm/m ²)			

Load Table | Maximum permissible weight (kg/m²)

Main Runner distances	1800 mm	1200 mm	1250 mm	600 mm	625 mm
Hanger distance A (mm)	Module 600 x 600	Module 600x600, 1200x600	Module 625x625, 1250x625	Module 600x600, 1200x600	Module 625x625, 1250x625
800	7.0	15.1	13.3	25.0	25.0
1000	6.1	13.6	12.1	25.0	25.0
1200	4.7	10.0	9.2	21.1	20.3
1500	-	5.8	5.5	12.0	11.5
1800	-	3.0	-	6.5	6.3

Note:
The load per m² must be evenly distributed (no extra point loads).
After loading, the deflection will remain within the permitted deflection according to class 1 (L/500) of EN 13964, provided the grid is laid out as shown.

For other grid layouts, load capacities or hanger distances, please contact Knauf Ceiling Solutions.

Fire reaction	Euroclass A1 as per EN 13501-1	RUS KM0 (NG) / KM1 (G1, V1, D1, T1) as per 123-FZ
Indoor air quality	A+ ISO 3	
Cleanability		
Sustainability	25%	
Design options		

All measurements in millimetres. All sizes are nominal.
Cross Tee alignment is achieved by locating the tees to the right-hand side of the adjoining section.