


General Applications

Armstrong PRELUDE 24 XL²

Exposed 24 mm grid system - System C

Key features

- Peakform : patented design for strength, stability and easier to cut
- Superlock clip: secure Main Runner connection for better alignment and easier to connect
- Rotary stitched: strength and extra stability

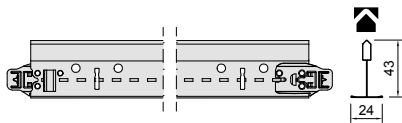
Application areas

- Healthcare / Classrooms / Meeting rooms / Individual offices

Physical data

- Material: galvanised steel
- Surface finish: baked polyester paint
- Colour: all products standard in Global White
- Other standard colours available on popular items

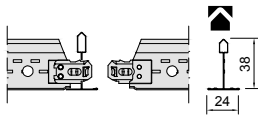
■ Armstrong PRELUDE 24 | Universal Peakform Main Runners & Superlock Clip (bulb-to-bulb connection)



| Item reference | Length | Dimensions (mm) | | | Content/carton | | Weight/carton kg | Cartons/pallet |
|----------------|--------|-----------------|--------|--------------|----------------|-------|------------------|----------------|
| | | Width | Height | Slot centres | pcs | lm | | |
| 31 41 33 B | 3750 | 24 | 43 | 156.25 | 20 | 75.00 | 21.90 | 30 |
| 31 40 32 A * | 3600 | 24 | 43 | 100 | 20 | 72.00 | 21.00 | 30 |
| 31 43 33 B | 3375 | 24 | 43 | 337.5 | 20 | 67.50 | 20.00 | 30 |
| 31 42 32 | 3000 | 24 | 43 | 100 | 20 | 60.00 | 17.50 | 30 |

* Black (BK), RAL 9006 (SG) & White RAL 9010 (WR) standard colours available. Special colours on request.

■ Armstrong PRELUDE 24 | XL² Cross Tees (stab system - joggled)

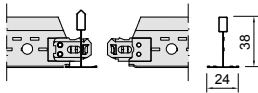


Cross Tees - Slotted

| | | | | | | | | |
|--------------|------|----|----|----------------|----|-------|-------|----|
| 31 34 31 A | 1800 | 24 | 38 | 300 | 30 | 54.00 | 17.00 | 20 |
| 31 36 32 | 1500 | 24 | 38 | ⁽¹⁾ | 30 | 45.00 | 14.70 | 20 |
| 31 33 31 | 1350 | 24 | 38 | 337.5 | 60 | 81.00 | 17.20 | 20 |
| 31 31 51 B | 1250 | 24 | 38 | 312.5 | 60 | 75.00 | 18.90 | 72 |
| 31 30 51 B * | 1200 | 24 | 38 | 300 | 60 | 72.00 | 18.20 | 72 |

* Black (BK), RAL 9006 (SG) & White RAL 9010 (WR) standard colours available. Special colours on request.

⁽¹⁾ Slots at 150, 500, 750, 1000, 1350 mm



Cross Tees - Unslotted

| | | | | | | | | |
|--------------|-------|----|----|---|----|-------|------|-----|
| 31 23 21 | 675 | 24 | 30 | - | 60 | 40.50 | 7.70 | 144 |
| 31 21 23 A | 625 | 24 | 30 | - | 60 | 37.50 | 8.60 | 144 |
| 31 20 21 A * | 600 | 24 | 30 | - | 60 | 36.00 | 8.20 | 144 |
| 31 25 32 | 312.5 | 24 | 38 | - | 60 | 18.75 | 4.60 | - |
| 31 24 32 | 300 | 24 | 38 | - | 60 | 18.00 | 4.60 | - |

* Black (BK), RAL 9006 (SG) & White RAL 9010 (WR) standard colours available. Special colours on request.

Section Drawings

■ Armstrong PRELUDE 24 | Universal Peakform Main Runners & Superlock Clip (bulb-to-bulb connection)

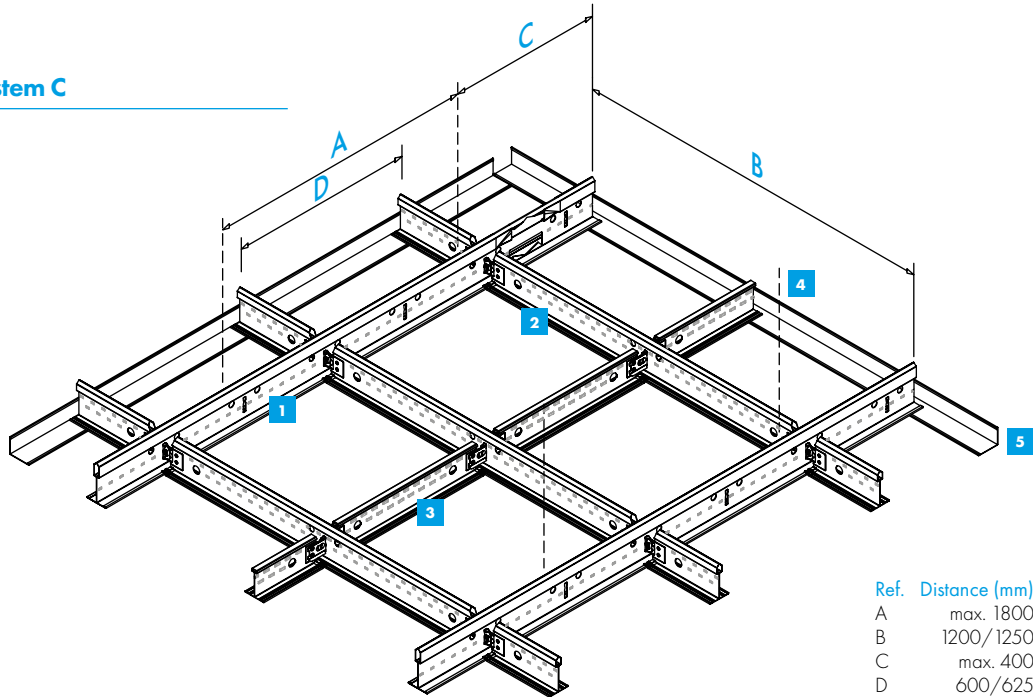
| Length | 78.125 | 156.25 | 156.25 | 19 x 156.25 | 156.25 | 156.25 | 78.125 |
|--------|--------|--------|--------|-------------|--------|--------|--------|
| 3750 | | | | | | | |
| 3600 | 50 | 100 | 100 | 31 x 100 | 100 | 100 | 50 |
| 3375 | 168.75 | 337.5 | 337.5 | 5 x 337.5 | 337.5 | 337.5 | 168.75 |
| 3000 | 50 | 100 | 100 | 25 x 100 | 100 | 100 | 50 |

■ Armstrong PRELUDE 24 | XL² Cross Tees (stab system - joggled)

| Length | 300 | 350 | 4 x 300 | 300 |
|--------|-------|-----|-----------|-------|
| 1800 | | | | |
| 1500 | 150 | 350 | 2 x 250 | 150 |
| 1350 | 337.5 | | 2 x 337.5 | 337.5 |
| 1250 | 312.5 | | 2 x 312.5 | 312.5 |
| 1200 | 300 | | 2 x 300 | 300 |

| Length | 675 / 625 / 600 / 312.5 / 300 |
|--------|-------------------------------|
| | |

System Drawing - System C



| Ref. | Distance (mm) |
|------|---------------|
| A | max. 1800 |
| B | 1200/1250 |
| C | max. 400 |
| D | 600/625 |

Material required per m² (no waste included)

| No. | Description | Item reference | Module 600 x 600 | Module 625 x 625 | Module 1200 x 600 | Module 1250 x 625 |
|-----|-----------------|--------------------------|---|------------------|-------------------|-------------------|
| 1 | Main Runner | 31 40 32 A 31 41 33 B | 0.84 lm - | - 0.80 lm | 0.84 lm - | - 0.80 lm |
| 2 | Long Cross Tee | 31 30 51 B 31 31 51 B | 1.67 lm - | - 1.60 lm | 1.67 lm - | - 1.60 lm |
| 3 | Short Cross Tee | 31 20 21 A 31 21 23 A | 0.84 lm - | - 0.80 lm | - - | - - |
| 4 | Hanger | - | 0.70 pcs | 0.64 pcs | 0.70 pcs | 0.64 pcs |
| | Retaining Clip | - | 5.56 pcs | 5.56 pcs | 5.56 pcs | 5.56 pcs |
| | Tiles | - | 2.78 pcs | 2.56 pcs | 1.39 pcs | 1.28 pcs |
| 5 | Perimeter Trim | - | Dependent on room dimensions (approx. 0.6 lm/m ²) | | | |

Load Table | Maximum permissible weight (kg/m²)

| Main Runner distances | 1800 mm | 1200 mm | 1250 mm | 600 mm | 625 mm |
|------------------------|------------------|--------------------------|--------------------------|--------------------------|--------------------------|
| Hanger distance A (mm) | Module 600 x 600 | Module 600x600, 1200x600 | Module 625x625, 1250x625 | Module 600x600, 1200x600 | Module 625x625, 1250x625 |
| 800 | 7.0 | 15.1 | 13.3 | 25.0 | 25.0 |
| 1000 | 6.1 | 13.6 | 12.1 | 25.0 | 25.0 |
| 1200 | 4.7 | 10.0 | 9.2 | 21.1 | 20.3 |
| 1500 | - | 5.8 | 5.5 | 12.0 | 11.5 |
| 1800 | - | 3.0 | - | 6.5 | 6.3 |

Note:
The load per m² must be evenly distributed (no extra point loads).
After loading, the deflection will remain within the permitted deflection according to class 1 (L/500) of EN 13964, provided the grid is laid out as shown.

For other grid layouts, load capacities or hanger distances, please contact Knauf Ceiling Solutions.

| | | |
|---------------------------|--|---|
| Fire reaction | Euroclass A1 as per EN 13501-1 | RUS KMO (NG) / KM1 (G1, V1, D1, T1) as per 123-FZ |
| Indoor air quality | A+ ISO 3 | |
| Cleanability | | |
| Sustainability | 25% | |
| Design options | | |

All measurements in millimetres. All sizes are nominal.
Cross Tee alignment is achieved by locating the tees to the right-hand side of the adjoining section.